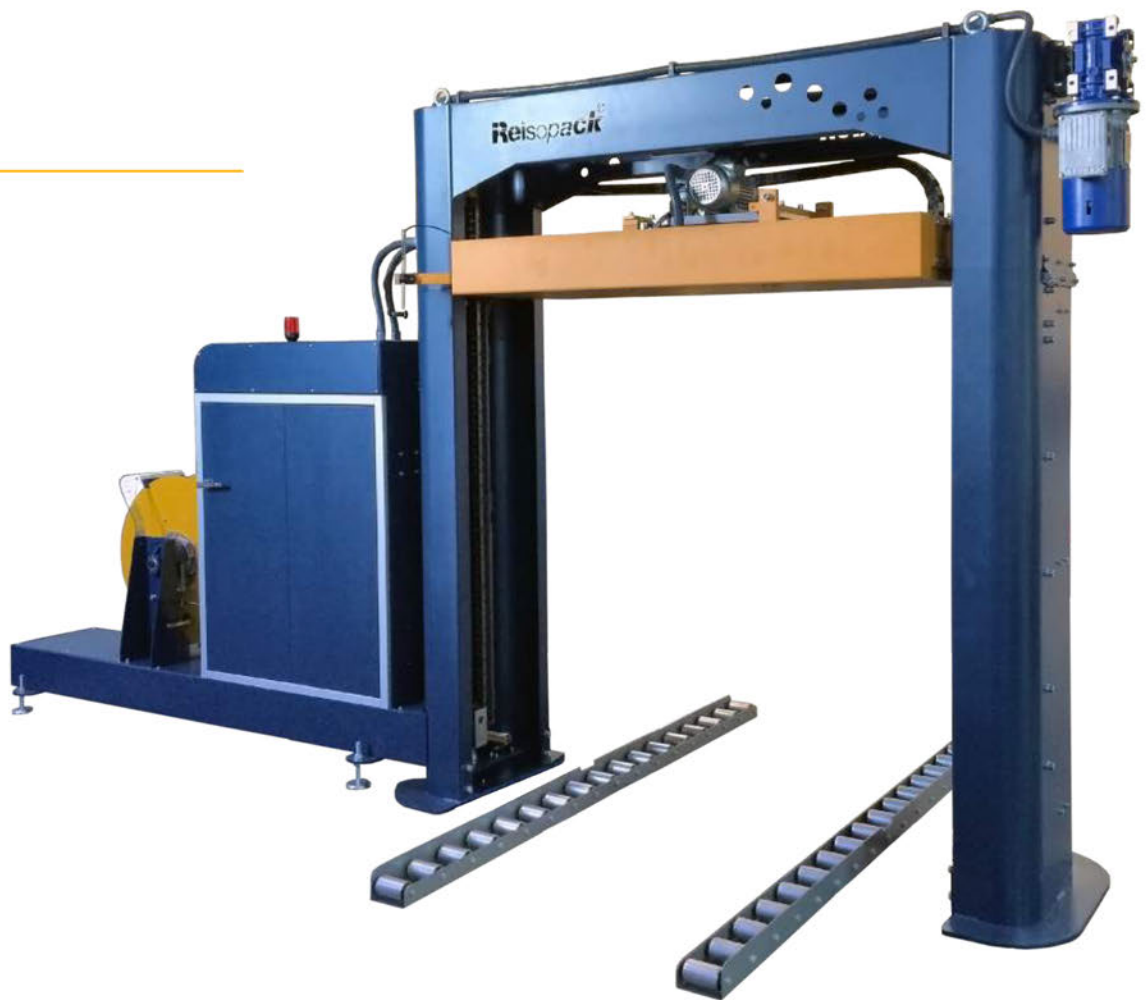


# Reisopack®

Strapping technologies

**Vertical automatic  
strapping machine  
of small dimensions**



**Strapping Machine  
Vertical Automatic**

**2250**



877-235- 5993



[www.legacypkg.com](http://www.legacypkg.com)



[support@legacypkg.com](mailto:support@legacypkg.com)

### Strapping Machine Vertical Automatic

**Automatic vertical strapping machine of small size with entry for hand pallet truck.**

- Own manufacturing and technology using european components of 1st quality.
- Control by touch screen LCD TFT of 5'6 inches.
- Long-lasting REISO2200HT aluminum strapping head.
- Production over 40 pallets / hour.
- Retraction tensioning system to prevent strap breaks when working with hard pallets.
- Visual signaling of errors.
- Friction welding.
- Does not release heat of fusion. Compatible to work with hazardous or flammable materials.
- Tilting strapping head for easy maintenance.
- Belt driven lance.
- Allows loading with hand pallet truck.
- Smaller size.
- Conductor strapping system to avoid deformation.

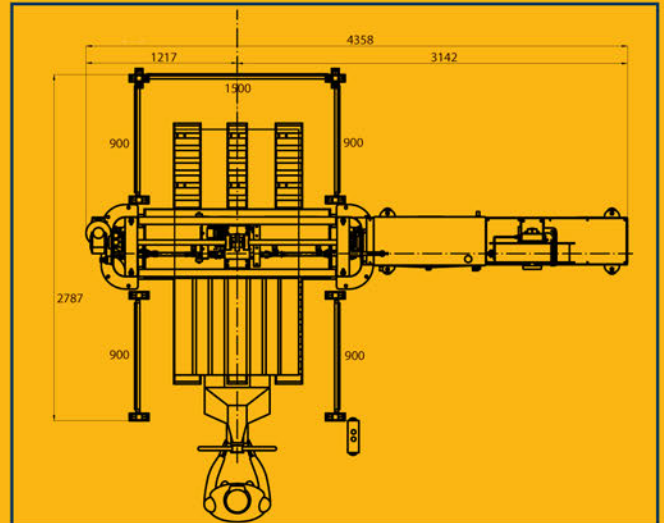


The smallest vertical automatic pallet strapping machine



Allows direct loading with hand pallet truck

Tension level up to 300 kg for hard pallet strapping



#### GENERAL CHARACTERISTICS

VOLTAGE: 220 V / 380 V - 50/60 Hz. 3 Phase.

POWER: 2Kw. ESTIMATED PRODUCTION: 35 - 45 Pallets / hour.

MACHINE DIMENSIONS: 4359 X 680 X 2337 mm.

MINIMUM PALLET HEIGHT: 300 mm.

MAXIMUM PALLET HEIGHT: 1450 mm (highest heights optional).

#### TECHNICAL SPECIFICATIONS

STRAP WIDTH: 9 - 15'5 mm. (factory set).

STRAP THICKNESS: 0'5 - 0'8 mm (PET) · 0'6 - 0'9 mm (PP).

WELDING: Friction welding

FEEDING SPEED AND RETRACTION: 4'5 m / second

TENSION RANGE: From 110 Kg to 300 Kg (1100 N - 3000 N).