

# EC-201

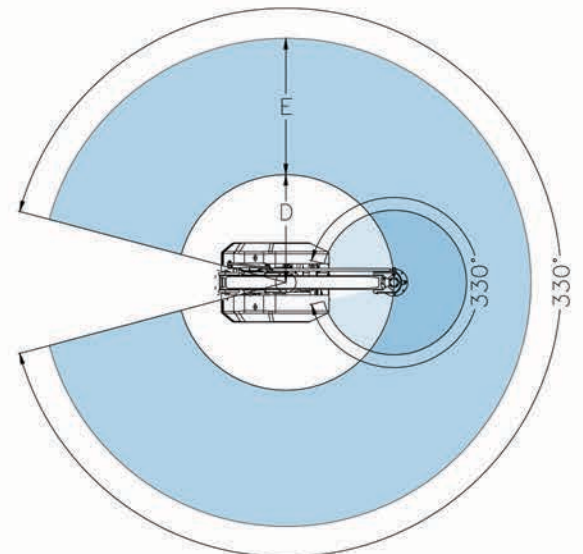
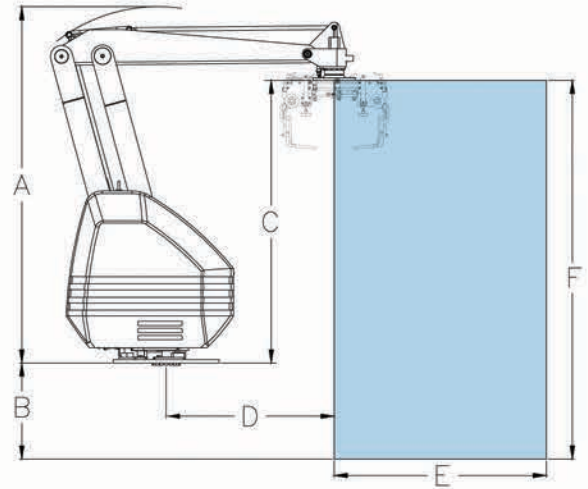
## Robotic Palletizer



Through many years of research and development the **EC-201** robot is one of the most technologically advanced robotic palletizers on the market today. This model can be configured for High Speed or Heavy Weight applications.

### Operating Range

	Dimensions (mm)					
	A	B	C	D	E	F
EC-201	2290	577	1723	1150	1500	2300
<i>Details provide are for reference purposes only. All dimensions are in metric (millimeters)</i>						



### EC-201 Series Technical Specifications

<b>Fuji ACE Model</b>	<b>EC-201</b>	
Type of Motion	Multi-Articulated	
Action Mode	Cylindrical	
Load Capacity (Including End Effector)	160kg (353 lbs)	
Palletizing Capacity (cycles / hour)	1600	
Degree of freedom	4 axis	
Operating Area	Z axis (vertical)	2300mm (90.5")
	R axis (longitudinal)	1500mm (59")
	Theta axis (rotation)	330°
	Alpha axis (wrist)	330°
Repeatability	± 0.5mm	
Memory	400 programming locations available	
Teaching method	Teaching playback / Teaching Support	
Power Requirements	(208 / 220V, 3 phase, 50 / 60 Hz)	
Power Consumption (Without Peripheral Equipment Load)	6.5 kVA / 17 amps or 7.0 kVA / 18.4 amps	
Robot Weight (Without End Effector)	1150 Kg (2536 lbs)	
Maximum Air Pressure	120 psi (0.827 MPa)	
Pneumatic Consumption (*Using Standard Fuji Case or Bag End Effector)	*5.7 SCFM @ 70 psi (.48 MPa)	

**Note:** Capacity rates can be significantly affected by layouts, product types and total payload weight. Accurate capacity can be confirmed after a detailed analysis of an application.

