

PRO-ELITE Semi- Automatic Pallet Stretch Wrapper



Low Profile
Wrap-N-Weigh

Low Profile

High Profile
Extended Tower

MACHINE FEATURES

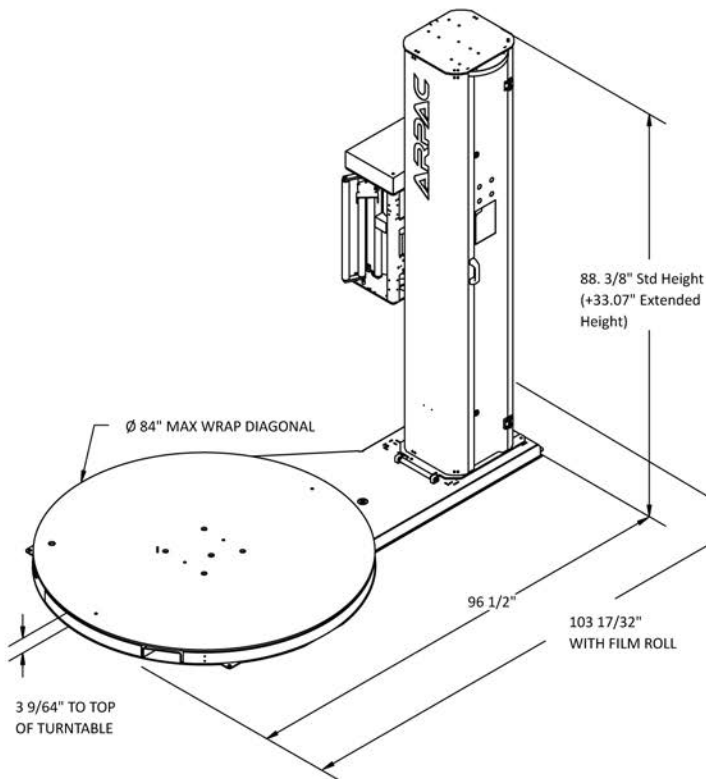
- 5.7" Easy to Use Color HMI
- Electronic Film Feed Drive
- Belt Carriage Lift System
- Unique Carriage Slide System
- Adjustable Top and Bottom Wrap Counts
- Automatic Load Height Sensing
- 3 Wrap Modes
 - Bottom Wraps First
 - Top Wraps First
 - One Way Wrap(bottom to top)
- 10 Storable Load Recipes
- Separate Up/Down Carriage Speeds
- Electronic Film Tension Control
- Security Access to Machine Settings
- 0 to 15 RPM Turntable Speeds
- 0 to 21 RPM Carriage Speeds
- 120 VAC
- 4000 Lbs Load Capacity
- Cycle Counter
- Dual Anti Stat Pre Stretch Rollers
- Eco-friendly, durable, powder coating
- Manual Jog Features for Turntable and Carriage
- Auto Home Button for Turntable

- Fault Indicator with Resolution Tips
- LED Lighted Control Panel
- 150% to 300% Pre Stretch Available
- Available in High and Low Profile Turntables
- Many Many Options

BENEFITS

- Low to No Maintenance
- Quiet Operation
- Arpac "Built to Last"
- Recipe Storage
- Easy to Use Controls
- Easy to Troubleshoot
 - Fault Resolution on Screen
- Easy Film Loading
 - Close Carriage Door and Film is Threaded
- Security Controlled Settings
 - Right People have Access to Wrap Settings
- Capable of 25 to 40 Loads per Hour
- Lifetime Limited Warranty on Pre Stretch Rollers
- UL/CSA Approved Components

Low Profile Shown



Specification	Measurement
Turntable size – low-profile	60" diameter (standard) 72" diameter (optional) (Larger sizes available)
Turntable size – high-profile	50" square (standard) 60" square (optional) 50" x 90" rectangular (option)*
Max. load diagonal clearance	85" (standard turntable) 102" (optional turntable)
Max. load weight	4,000 lb. (standard) 6,000 lb. (option)
Turntable rotation speed	Up to 15 RPM
Variable carriage speed	Up to 21 FPM
Loads wrapped per Hour	25 to 45
Max load height – low-profile: - Standard power - Optional extensions available	83" max load height 110" option
Max load height – high-profile: - Standard tower - Optional extensions available	80" max load height 110" option
Electrical power requirements	120 Vac, 1 Ph, 60 Hz, 10 A, 1.2 kW

* not available on Wrap-N-Weigh models



LED Light on Top of the Tower



Wrap-N-Weigh Option



Easy to Use Color HMI with Clear Error Notifications

Legacy Packaging

333 City Blvd W 17th Floor, Orange, CA 92868

(877) 235-5993

support@legacypkg.com

www.legacypkg.com