

SIDEWINDER Semi-Automatic Stretch Wrapper



High-Profile Wrap-N-Weigh Shown



Low-Profile Wrap-N-Weigh Shown

FEATURES AND BENEFITS

Machine Features

- Heavy-duty, welded-steel construction (no plastic panels) designed for long life
- Variable turntable speed using 1/2 hp, 90 Vdc motor with ANSI 50 chain drive system
- Up to 12 RPM rotating table can deliver 25–40 loads per hour
- Long range photo eye for automatic load height sensing
- Adjustable top and bottom illuminated LED wrap counters
- Cycle pause feature
- Top film overwrap control feature (TOC)
- Electronic film tension adjustment control on control panel
- Independent up and down film carriage controls with jog up/down switch
- Manual jog control for turntable
- Two available wrap patterns
- Dual chain film carriage lift
- Eco-friendly, durable powder coating

Controls Hardware

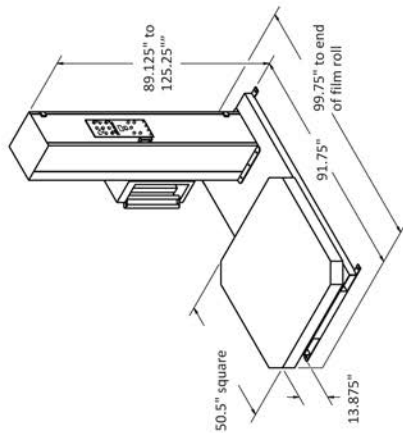
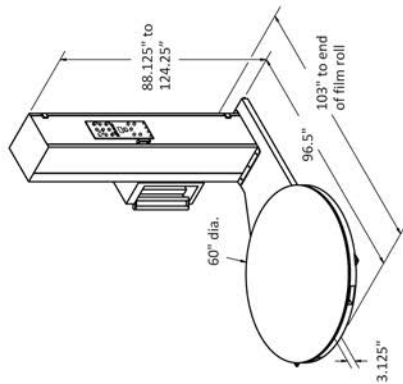
- Allen-Bradley® power, control, and safety components
- Allen-Bradley® MicroLogix™ PLC
- UL/CSA approved components

OPTIONS

- Access ramps to assist loading of pallet
- Automatic film tear device (AFTD) tears film at the end of the wrapping cycle
- Extended film towers for wrapping tall loads exceeding standard machine capability
- Cold and freezer packages available
- Adjustable manual roping guide
- Pneumatic roping device for extra load support
- 30" film delivery system
- Other NEMA rated control enclosures available
- Top platen device to stabilize tall or light unstable loads during rotation
- 6,000 lb. and large diameter turntables available
- Integrated scale and printer available



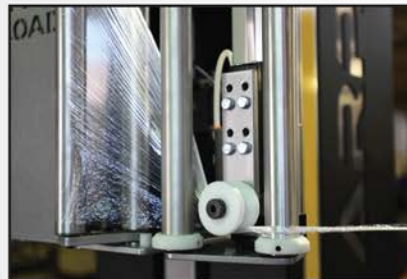
Note: Final Layout May Vary



Specification	Measurement
Turntable size – low-profile	60" diameter (standard) 72" diameter (optional) (Larger sizes available)
Turntable size – high-profile	50" square (standard) 50" x 90" rectangular (option)
Max. load diagonal clearance	85" (standard turntable) 102" (optional turntable)
Max. load weight	4,000 lb. (standard) 6,000 lb. (option)
Turntable rotation speed	Up to 12 RPM
Variable carriage speed	Up to 21 FPM
Loads wrapped per Hour	25 to 40
Max load height – low-profile:	
- Standard power	83" max load height
- Optional extensions available (12, 24, and 36")	95", 107", and 119" options
Max load height – high-profile:	
- Standard tower	74" max load height
- Optional extensions available (12", 24", and 36")	86", 98", and 110" option
Electrical power requirements	120 Vac, 1 Ph, 60 Hz, 10 A, 1.2 kW
Standard shipping weight	Low-profile 1,350 lb. High-profile 1,260 lb.



Optional Ramps Available



Optional Automatic Roping Device



Optional 90" Table

Legacy Packaging

333 City Blvd W 17th Floor, Orange, CA 92868

(877) 235-5993

support@legacypkg.com

www.legacypkg.com